

Fold-Slide Hanging Roller System Instruction

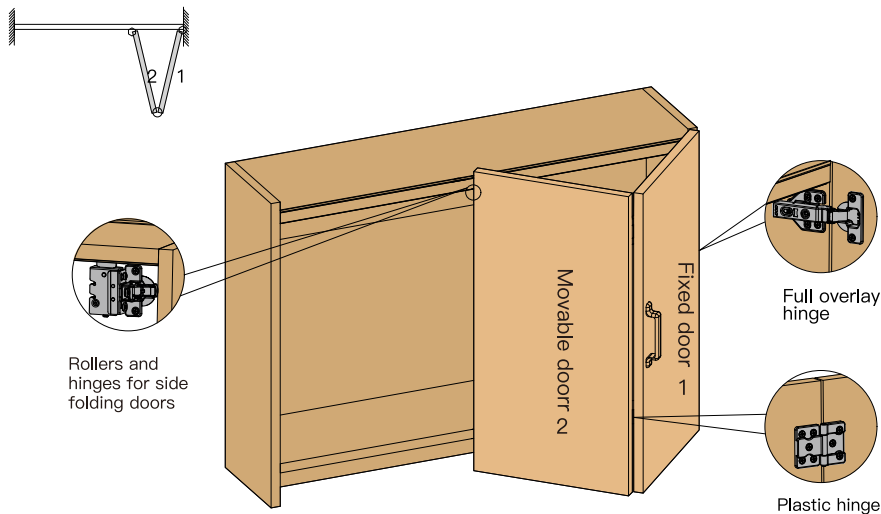
Accessories

Item No.	Accessories name	Image	Qty	Item No.	Accessories name	Image	Qty
01	Rollers and hinges for side folding doors		1		Plastic hinge		2
02	Stopper		1		Position template		1
03	Upper rollers		1		ST4*16 wooden screw		30
	Full overlay hinge		2		Upper rail of the fold slide door		

Application and Installation Instruction

This folding system can be used to cover top panel and side panel of cabinet. Mainly apply to wooden doors or aluminum frame doors.

Diagram for 2-door folding(fixing side door)



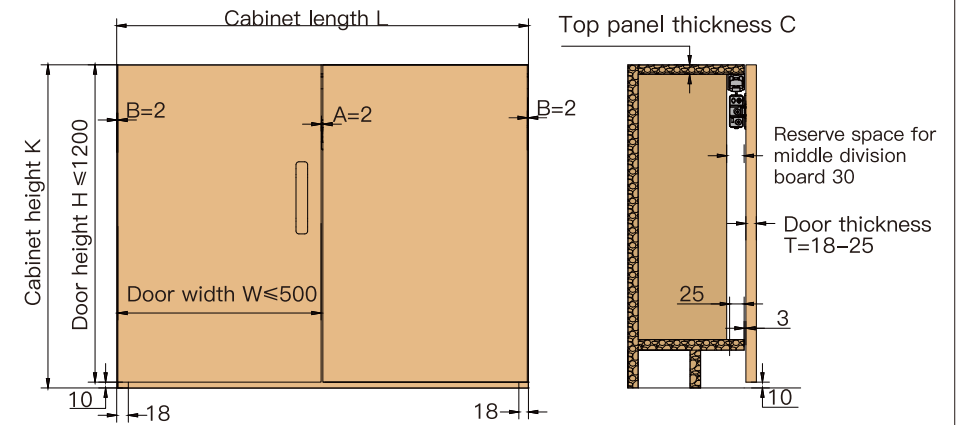
Installation parameters (Take 2-door folding as an example)

1. Cabinet size

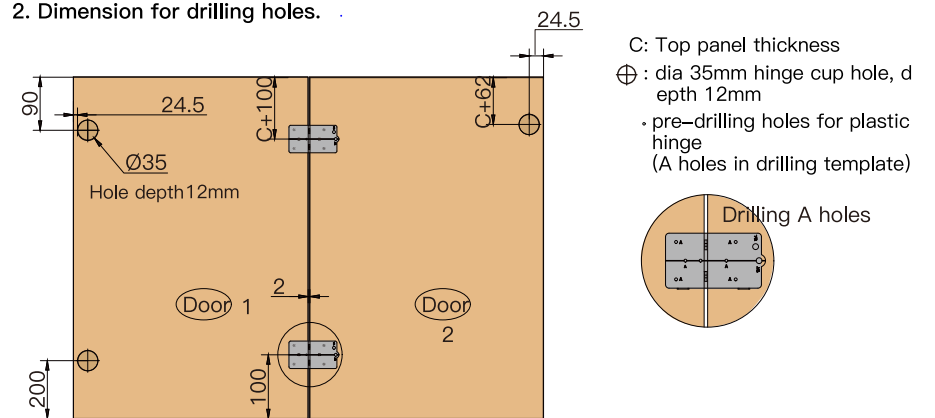
Door size:

2-door folding: width ≤ 500mm, height ≤ 1200mm, thickness 18–25mm.

Loading capacity: 2-door folding: ≤ 15kg per door.



2. Dimension for drilling holes.



- C: Top panel thickness
- ⊕ : dia 35mm hinge cup hole, depth 12mm
- pre-drilling holes for plastic hinge (A holes in drilling template)

A: Reserve 2mm gap for plastic hinge installation

B: Reserve 2mm gap between the cabinet side board and the door side.

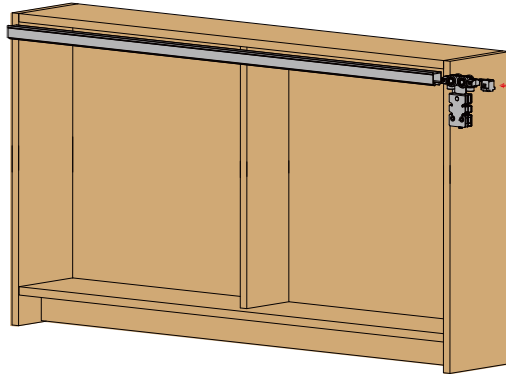
$$\text{Door width : } W = \frac{L-6}{2} = \frac{(L-2-2*2)}{2}, W \leq 500\text{mm,}$$

Door height : $H = K - 10, H \leq 1200\text{mm}$

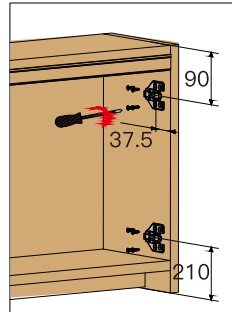
Middle division board reserve space Min 30mm

Installation steps

1. Install the rails and the related accessories. Fix the hinge plate on side panel of the fixed door.
Install the upper rail: Place the roller, stopper into the rail and fix the rail with self-tapping screws.
Note: Before installation, ensure that the inner surface of the track is clean and free of impurities.
Check and confirm the rollers are free from damages or scratches, can slide smoothly.
The stopper direction should be same as the door opening direction.

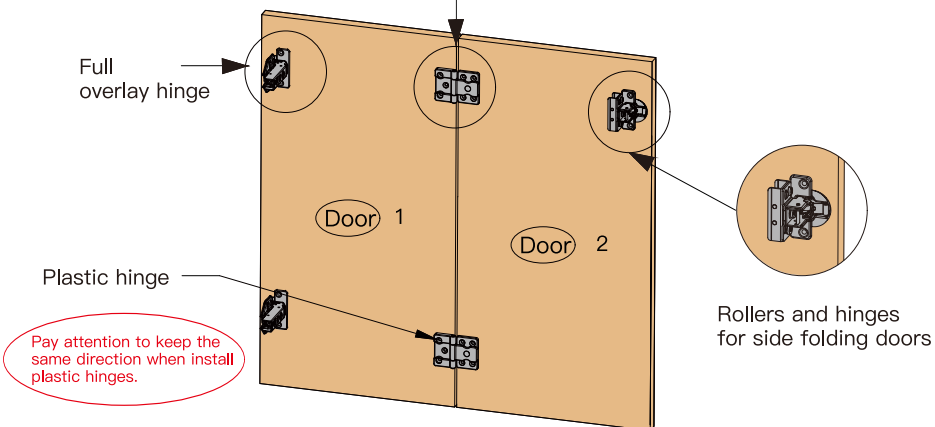


Install the hinge plates.



2. Install the full overlay hinges, plastic hinges, rollers for side folding doors according to the instruction as below and the Installation parameters mentioned above.

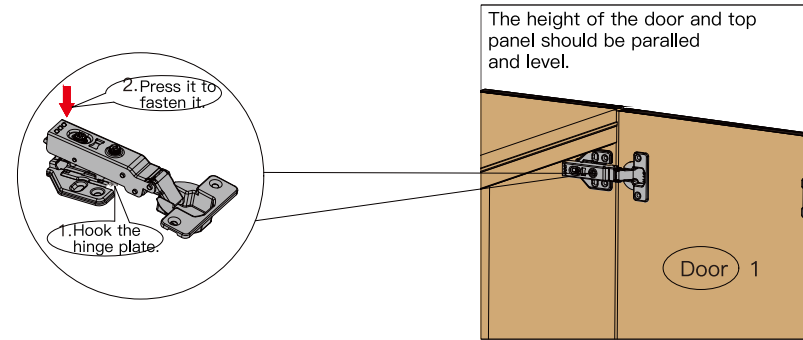
Pay attention to the installation direction of the plastic hinge.
The 3-hole side is on the fixed door.



3. Hang the door. Connect the door 1,2 with the roller accessories and adjust the door gaps.

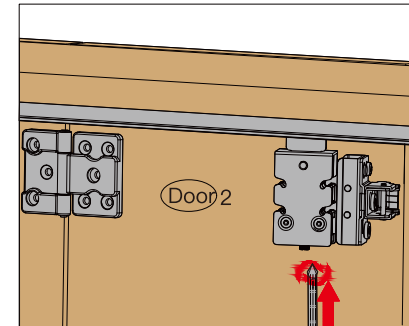
3.1 Install the hinges on side door. Align the hinge to the plate and press it, as the below picture shows.

The hinges are clip on hinges, used to fix door 1.



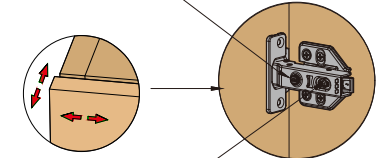
3.2 Hang the hinges of door 2 on the hanging roller accessories.

Lift the door upwards slightly to have easier installation.
Fasten the bottom screws anticlockwise after connection.
As shown in the picture below:



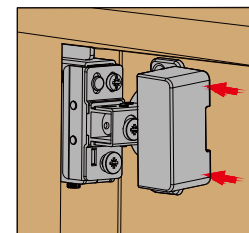
3.3 Install the decorative cover to complete the installation.

Left and right adjustment for coverage between door and side panel.

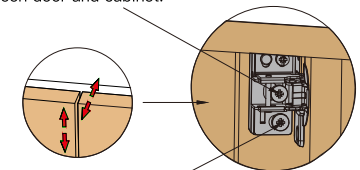


Forward and backward adjustment for gap between door and cabinet.

3.4 Adjust the doors



Forward and backward adjustment for gap between door and cabinet.



Up and down adjustment for parallel between door and top panel.